

Perfect for transporting and handling the Glass Panels!



- *Max. Capacity of 180 kg (400 lbs)
- *Max. rotating glass of 250 cm(8 ft)

GT1

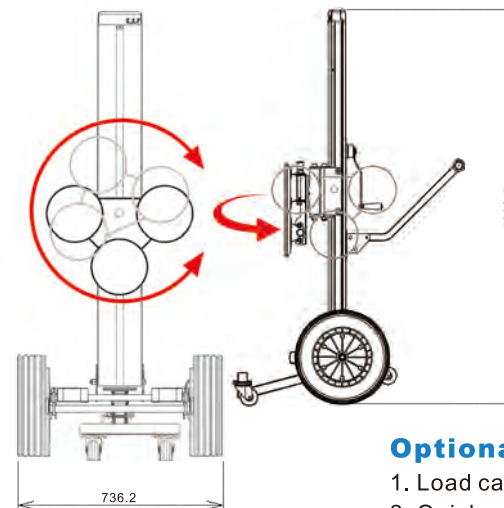


GT2



1. Patented silent winch makes raising and lowering a panel easy and quiet.
2. Concealed steel wire inside the mast, to protect operator's fingers from pinch points
3. 16" puncture proof wheels allow you to move glass with confidence on uneven surfaces.
4. Shift the cradle to the side to allow easy access through a narrow passageway.
5. Lockable carriage – prevents glass breakage and movement, particularly with heavy loads.
6. Extendable chassis with lockable castor wheel and stopper.

Spec / Model	GT1	GT2
Lifting height	160 cm	140 cm
Max. Load Capacity	180 kg	180 kg
Max. Rotating glass panel dimension	250 x 250 cm	240 x 150 cm
Packing Dimension	145x56x34 cm	145x56x34 cm
Weight	48 kg	53 kg



Optional accessory: 2 vacuum system.

1. Load capacity: max. 180 kg(400 lbs).
2. Quick adapt from 3 vacuum cradle to 2 vacuum system.
3. Adjustable width to suit different sized glass panels.