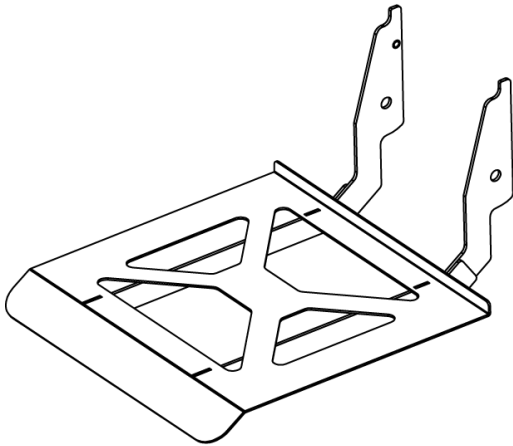


## Specifications

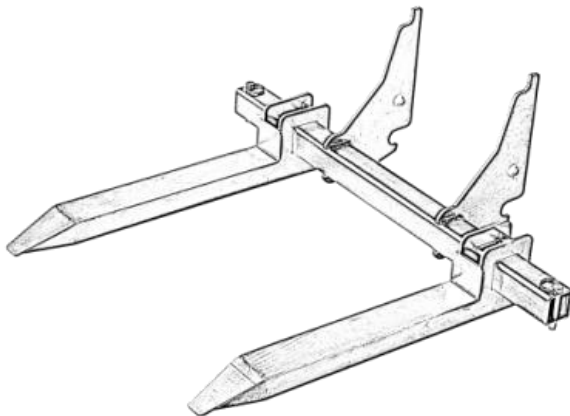
<b>Spec / Model</b>	ML2
<b>Lifting Height</b>	105 cm
<b>Max. Load capacity - Fork</b>	150 kg
<b>Max. Load capacity - Platform</b>	120 kg
<b>Dimension</b>	71 x 50 x 132 cm
<b>Dimension - Platform</b>	40 x42 cm
<b>Dimension - Forks</b>	37 x 59 cm
<b>Machine Weight</b>	25 kg



Platform (Accessory)

Capacity:120 kg ( 265 lbs )

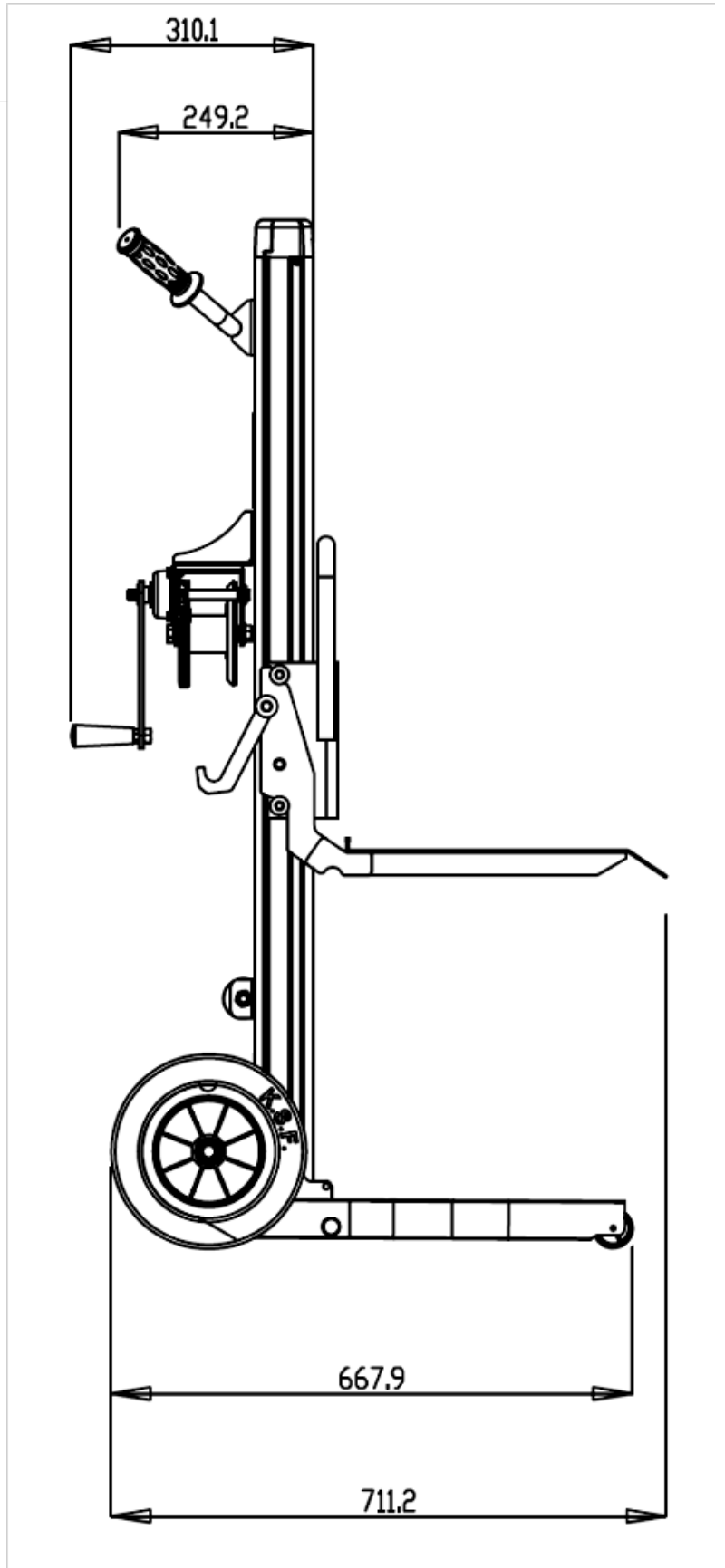
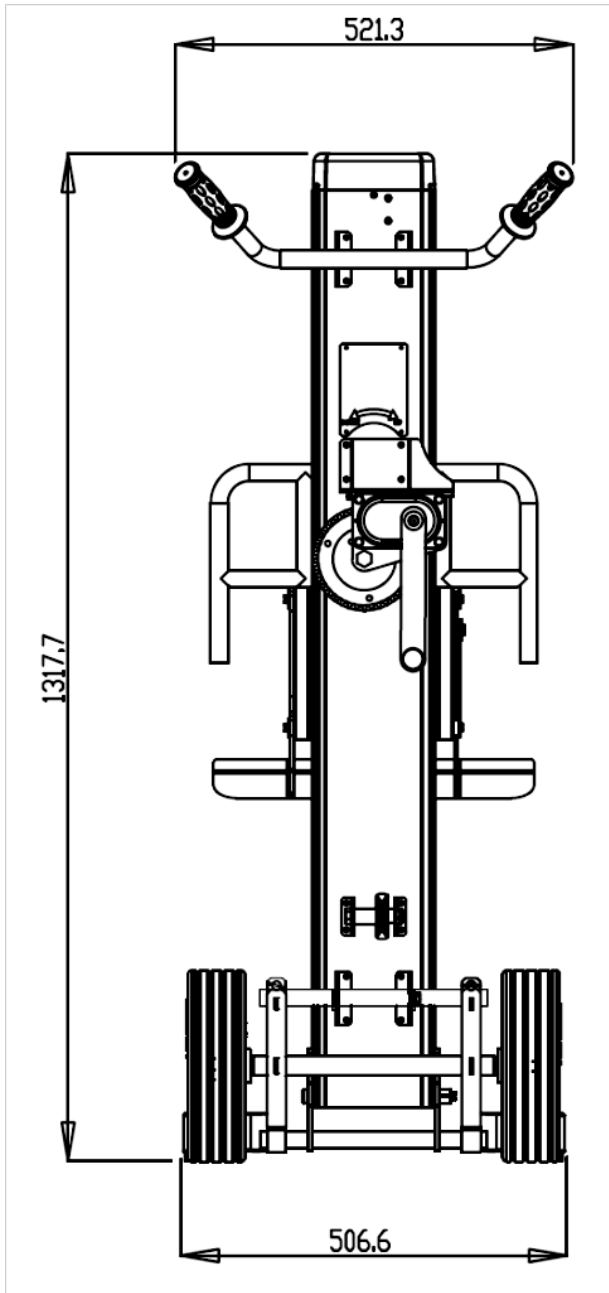
Weight: 4 kg ( 9 lbs )



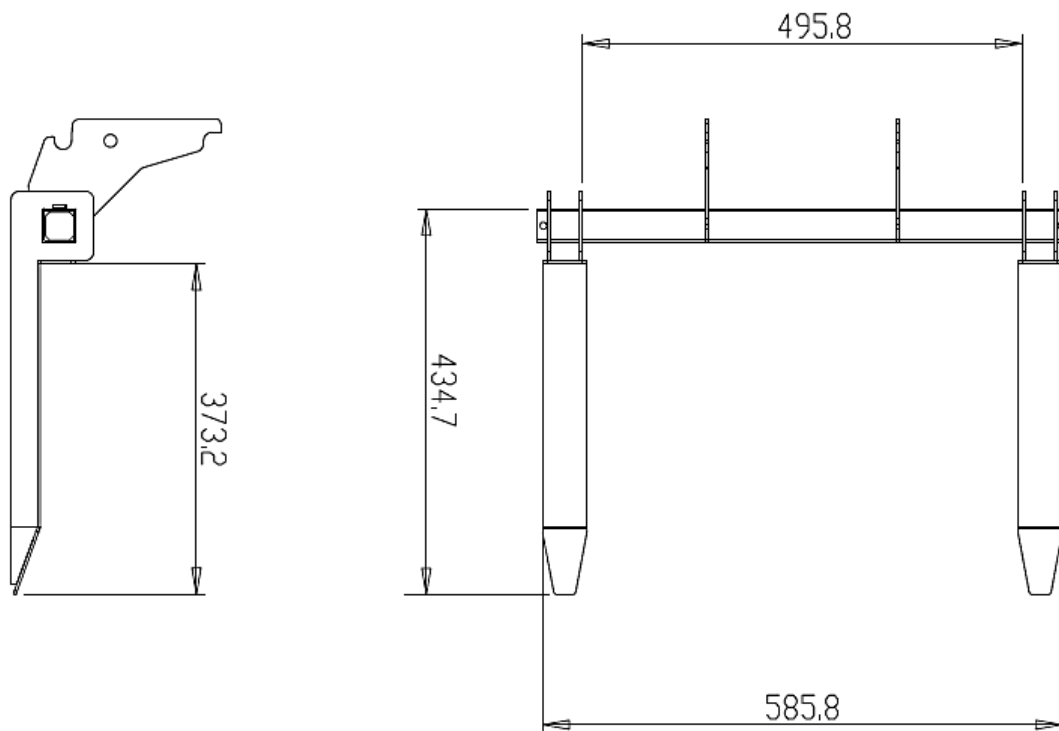
Fork (Accessory)

Capacity:150 kg ( 330 lbs )

Weight:5 kg ( 11 lbs )



## Accessory-Fork



## Accessory-Platform

