



Lifting Eye bolt

The EV-300 Electro-pneumatic Glass Lifter is an autonomous device which is designed for the handling of all glass on site or in the workshop. Its special construction is designed for using on the GRM 250 glazing robot instead of manual pump suction cups.

Specifications:

- Two individual air circuits in control panel
- Each vacuum circuit is connected to its own set of suction cups (blue and red hoses)
- Two visual and audible warning systems in case of air pressure loss
- Two individual vacuum level indicators
- 300 mm diameter suction cups:
- Specific sealing lip to limit the impact of the product on the glazing.
- Adjustable position on each support arm which is also adjustable on the structure.
- Individual suction cup protective covers

The box includes the 12 V battery and its automatic shut-off charger.

10A fuse (external access)

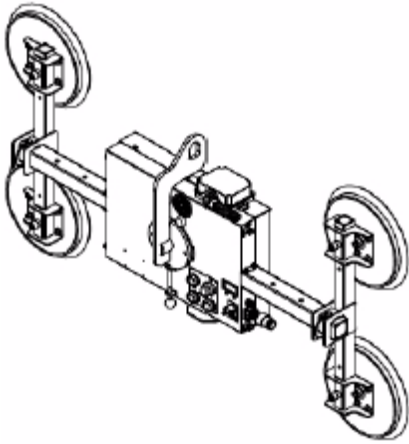
Due to its construction, it is possible to add a KSF radio controller without modifications.

The advantages of the EV 300

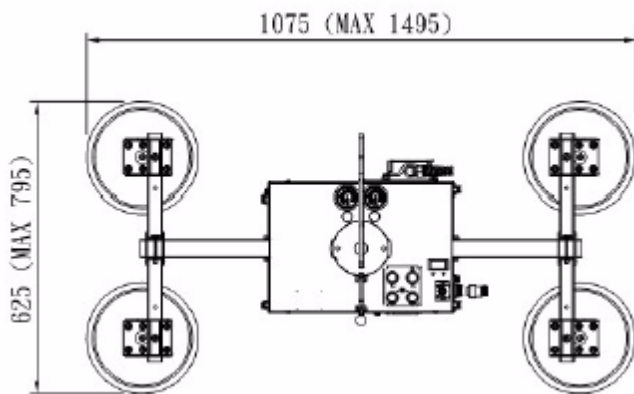
- Each suction cup has adjustable positioning
- Each suction cup support arm has adjustable positioning
- Suction cups have protective covers
- Control Unit with plug to connect the optional radio controller or a computer
- Installs in seconds to our GRM250 Glass Robot

EV300 Electro-pneumatic Glass Lifter 300 kg

Specifications



EV300 with Lifting eye bolt to connect to GRM250



Compatible with GRM 250
Battery power and autonomy indicators
Battery charging 10A fuse
Socket for connecting the radio control
On / off button

